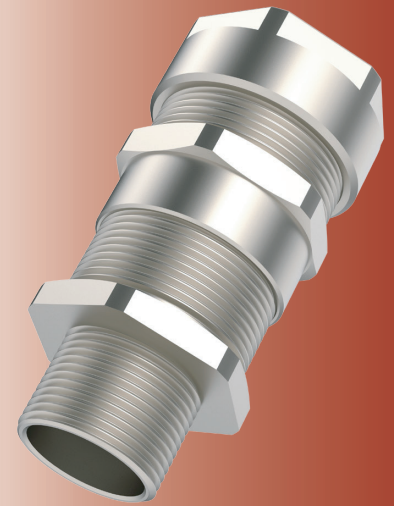


## Cable Glands for All Types of Armoured Cables

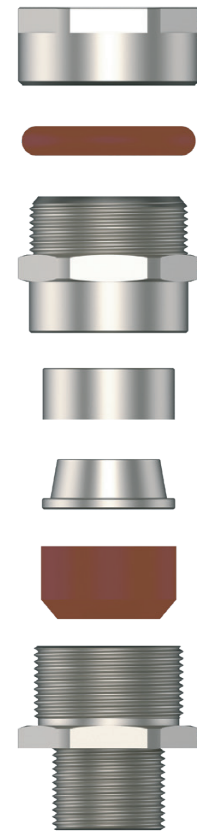
# VOLANS



Technical Details		
Material	Body, Cap	Brass, Brass Nickel Plated, Stainless Steel,
	Inner Parts	Brass, Brass Nickel Plated, Stainless Steel,
	Seal	Halogen Free Silicone
	O-ring	Halogen Free Silicone
Ingress Protection Rating	IP 68 - 5 Bar, 30 min IP 66	
Operating Temperature	Seal Material	
	Shroud	-60°C to +130°C
Equipment For	Gas & Dust potentially explosive atmospheres	
Suitable for use in	Group I Group II Group III	
Equipment Marking	Ex db I Mb; Ex eb I Mb; Ex db IIC Gb; Ex eb IIC Gb; Ex tb IIIC Db	
Thread Type	<ul style="list-style-type: none"> <li>Metric (M) ISO Pitch 1,5 and 2,0 (for M80 and above) as standard.</li> <li>NPT (N) ANSI ASME B1.20.1</li> <li>Other thread types also available upon request.</li> </ul>	
Cable Type	SWA - SWB - STA - PWA - AWA - Shielded	
	<ul style="list-style-type: none"> <li>Lock nuts</li> <li>Shrouds</li> <li>Deluge Seal</li> <li>Lead Sheath Spring</li> <li>Gaskets (Washers)</li> <li>Serrated Washers</li> <li>Earth tags</li> </ul>	
Accessories	<ul style="list-style-type: none"> <li>Accessories must be ordered separately.</li> </ul>	
Remarks		

Approvals	Certificate Number	Standards
	CESI 21 ATEX 031X	EN 60079-0, -1, -7, -31
	IECEx CES 22.0009X	IEC 60079-0, -1, -7, -31
	In progress	In progress
	In progress	In progress
	In progress	In progress
	In progress	In progress

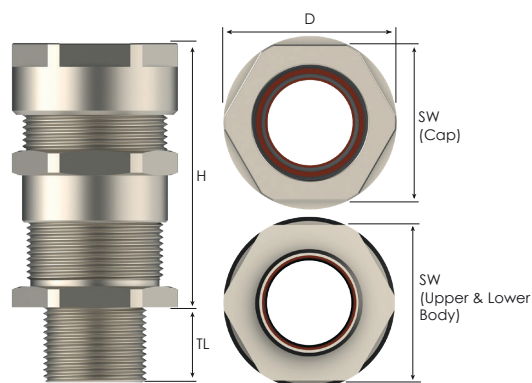
-For details of approvals, see our website.  
\* The standard markings consists ATEX & IECEx only. Markings to other standards on request.



Order Coding											
Part Number	Material	Seal	Lead Sheath Washer	Gasket (Washer)	Serrated Washer	Lock Nut	Shroud	Earth Tag	Deluge Seal		
Mandatory	Mandatory	Mandatory	- Option	- Option	Option	Option	Option	Option	Option	Option	
See table	B Brass BN Brass nickel plated X Stainless steel 316L	S Silicone	- LSK Lead Sheath Washer	- WS Silicone	WSR Serrated washer	L Lock nut	S Shroud	E Earth tag	D Deluge Seal		
Example											
VOLOSM	BN	S	- LSK	- WS	WSR	L	S	E	D		

# VOLANS

## Cable Glands for All Types of Armoured Cables



Thread Type **METRIC acc. to ISO 965 - 3**

Outer Thread Size (Male)	Clamping Range		Armour Wire Ø min-max mm	Shield Wire Ø min-max mm	Outer Thread Length TL mm	Spanner Width			Outer Ø D mm	max. Height		Part Number
	Inner Sheath Ø min-max mm	Ø min-max mm				Cap SW Cap mm	Upper Body SW Upper Body	Lower Body SW Lower Body		H mm		
M12x1,5	3.0 - 8.0	5.5 - 12.0	0.8 - 1.25	0.2 - 0.8	15.0	22.0	22.0	19.0	24.0	57.0	VOL0SM	
M16x1,5	3.0 - 8.0	5.5 - 12.0	0.8 - 1.25	0.2 - 0.8	15.0	22.0	22.0	19.0	24.0	57.0	VOL01SM	
	6.0 - 12.0	9.0 - 16.0	0.8 - 1.25	0.2 - 0.8	15.0	24.0	24.0	24.0	26.5	57.0	VOL01M	
M20x1,5	3.0 - 8.0	5.5 - 12.0	0.8 - 1.25	0.2 - 0.8	15.0	22.0	22.0	24.0	26.5	57.0	VOL1XSM	
	6.0 - 12.0	9.0 - 16.0	0.8 - 1.25	0.2 - 0.8	15.0	24.0	24.0	24.0	26.5	57.0	VOL1SM	
	6.0 - 14.0	12.0 - 20.0	0.8 - 1.25	0.2 - 0.8	15.0	30.0	30.0	30.0	33.0	60.0	VOL1M	
M25x1,5	6.0 - 14.0	12.0 - 20.0	0.8 - 1.25	0.2 - 0.8	15.0	30.0	30.0	30.0	33.0	60.0	VOL2SM	
	11.0 - 20.0	16.0 - 26.0	1.25 - 1.6	0.2 - 0.8	15.0	36.0	36.0	36.0	39.8	66.0	VOL2M	
M32x1,5	11.0 - 20.0	16.0 - 26.0	1.25 - 1.6	0.2 - 0.8	15.0	36.0	36.0	36.0	39.8	66.0	VOL3SM	
	16.0 - 26.5	20.0 - 33.0	1.6 - 2.0	0.2 - 0.8	15.0	46.0	46.0	46.0	51.0	76.0	VOL3M	
M40x1,5	16.0 - 26.5	20.0 - 33.0	1.6 - 2.0	0.2 - 0.8	15.0	46.0	46.0	46.0	51.0	76.0	VOL4SM	
	22.0 - 32.5	29.0 - 41.0	1.6 - 2.0	0.2 - 0.8	15.0	55.0	55.0	55.0	62.5	85.0	VOL4M	
M50x1,5	22.0 - 32.5	29.0 - 41.0	1.6 - 2.0	0.2 - 0.8	15.0	55.0	55.0	55.0	62.5	85.0	VOL5SM	
	29.0 - 44.0	36.0 - 52.0	1.8 - 2.5	0.2 - 1.0	15.0	65.0	65.0	65.0	74.5	100.0	VOL5M	
M63x1,5	29.0 - 44.0	36.0 - 52.0	1.8 - 2.5	0.2 - 1.0	15.0	65.0	65.0	68.0	75.0	100.0	VOL6SM	
	43.0 - 56.0	50.0 - 65.0	1.8 - 2.5	0.2 - 1.0	15.0	80.0	80.0	80.0	91.0	102.0	VOL6M	
M75x1,5	43.0 - 56.0	50.0 - 65.0	1.8 - 2.5	0.2 - 1.0	15.0	80.0	80.0	80.0	106.0	102.0	VOL7SM	
	54.0 - 68.0	61.0 - 78.0	1.8 - 2.5	0.2 - 1.0	15.0	95.0	95.0	95.0	106.0	115.0	VOL7M	
M80x1,5	54.0 - 68.0	61.0 - 78.0	1.8 - 2.5	0.2 - 1.0	20.0	95.0	95.0	95.0	118.0	115.0	VOL80SM	
	65.0 - 75.0	75.0 - 89.0	2.0 - 3.5	0.3 - 1.0	20.0	106.0	106.0	106.0	118.0	126.0	VOL80M	
M90x1,5	54.0 - 68.0	61.0 - 78.0	1.8 - 2.5	0.2 - 1.0	20.0	95.0	95.0	95.0	118.0	115.0	VOL8SM	
	65.0 - 78.0	75.0 - 89.0	2.0 - 3.5	0.3 - 1.0	20.0	106.0	106.0	106.0	118.0	126.0	VOL8M	
M100x1,5	65.0 - 78.0	75.0 - 89.0	2.0 - 3.5	0.3 - 1.0	20.0	106.0	106.0	106.0	139.0	126.0	VOL9SM	
	76.0 - 92.0	88.0 - 104.0	2.5 - 4.0	0.3 - 1.0	20.0	127.0	127.0	127.0	139.0	134.0	VOL9M	